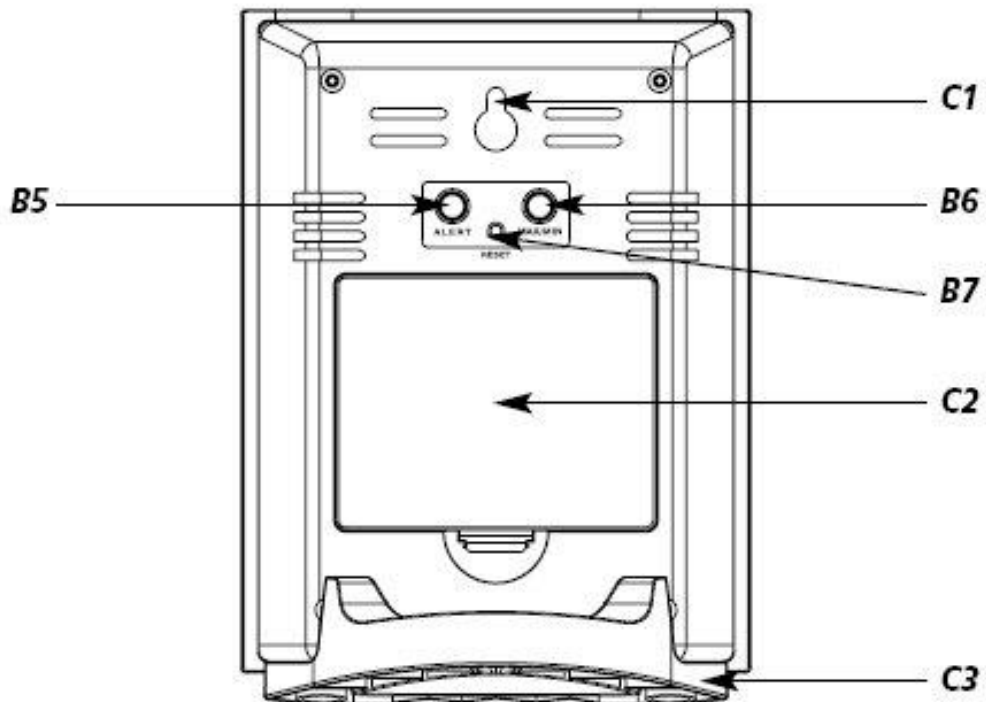
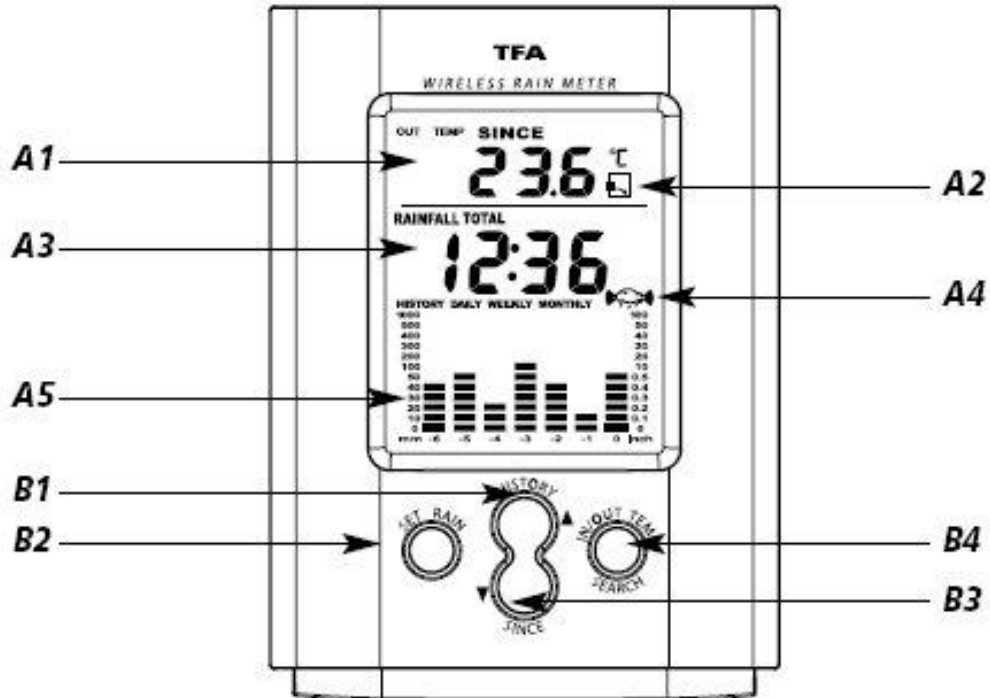


MONSUN - Wireless Rain gauge





MONSUN – Wireless rain gauge



1. Features

- Wireless transmission of outdoor temperature and rainfall quantity (433 MHz), distance range up to 30 m (free field), with temperature trend indicator
- Rain sensor with alarm
- Indication of total rainfall quantity, of the last hour, the last 24 hours and the last rain with time and date of recording
- Bar graph indication and history of the last 7 days, weeks and months
- Indoor temperature
- Maximum and minimum temperature
- Programmable temperature alarm
- Clock with date
- Display unit for wall mounting or table standing
- Very simple installation, no cables required
- Ideal for gardening and agricultural purposes and for all those who want to know more about nature

2. Elements

2.1 Receiver (Display unit) Fig. 1

LCD

- A1: Outdoor temperature
- A2: Trend indicator
- A3: Time
- A4: Rain sensor
- A5: Bar graph indication rainfall quantity

Buttons

- B1: "▲ HISTORY" button
- B2: "SET/RAIN" button
- B3: "▼ SINCE" button
- B4: "IN/OUT TEMP/SEARCH" button
- B5: "ALERT" button
- B6: "MAX/MIN" button
- B7: "RESET" button

Housing

- C1: Wall Mount Hole
- C2: Battery Compartment
- C3: Stand (removable)

2.2. Transmitter Fig. 2

- D1: Battery compartment

MONSUN – Wireless rain gauge



3. Getting started


3.1 Insert batteries

- Insert the batteries (3x 1.5V AA) into the battery compartment of the display unit, observing the correct polarity.

3.2 Setting of clock and calendar

- After batteries were inserted, or when holding "SET" button for 3 seconds, the 24 h digit begins to flash. Press "▲" or "▼" buttons to choose 12 HR or 24 HR system. Using "SET" button you can switch to setting hours, minutes, seconds, year, month/day sequence, month, day, mm/inch, °C/°F and rain sensor alarm ON or OFF.
- In "month/day sequence" the two different date displays can be selected: month/date (American version) or date/month (European version).

3.3 Reception of outdoor transmitter


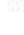
- Open the battery compartment of the outdoor rain sensor with a screw driver and insert the batteries (2 x 1.5 V AA), polarity as illustrated.
- The display unit automatically starts scanning the 433 MHz signal to register the rain sensor unit after setting time. The symbol  flashes when the signal is received successfully. If the reception of outdoor values fails, "- -" appears on the display. If the reception of outdoor values fails, "- -" appears on the display. Check the batteries and try it again. Check if there is any source of interference.
- Manual initialization can be helpful. Hold "SEARCH" button on the display unit for 3 seconds.
- After successful installation screw up the battery compartment of transmitter carefully.

4. How to operate

- **Important:** Buttons will not function while scanning the outdoor transmitter signal.
- During operation, all successful settings will be confirmed by an acoustical signal.
- The instrument will quit the setting mode, if there is no button used within 15 seconds.
- Holding "▲" or "▼" buttons, you will enter fast mode.

4.1 Rain gauge

4.1.1 Rain sensor alarm

- When it starts to rain an alarm signal will sound for 2 seconds and the symbol  begins to flash. Press any button to stop the alarm. The display stops flashing 30 minutes after the rain has finished.
- Set the acoustic rain sensor alarm on or off during setting mode (see 3.2). "AL ON → AL OF".
-  appears on the display when alarm sound is activated.

4.1.2 Indication of date

- Press "SET/RAIN" button to show the date.

4.1.3 Indication of rainfall quantity

- Press "SET/RAIN" button again to show the following information:
- Indication of total rainfall quantity since the last reset. Hold "SET/RAIN" button for 3 seconds to clear the recorded reading.

MONSUN – Wireless rain gauge



- Rainfall quantity of the last hour (1H), update every 10 minutes
- Rainfall quantity of the last 24 hours (24H), update every hour
- Rainfall quantity of the last rain ☁, automatic reset 30 minutes after rain has finished

4.1.4 Time and date of recording

- You can recall the time, date and year of recording for every value by pressing "SINCE" button repeatedly.

4.1.5 Bar graph indication and history

- Press "HISTORY" button to show the bar graph indication of the rainfall quantities for the last 7 days (DAILY), weeks (WEEKLY) and months (MONTHLY).
- Hold "HISTORY" button to recall the value of the current time period (current day, week or month = 0). Press "HISTORY" button again to recall all single values (1 to 6).
- Press and hold "HISTORY" button and "SINCE" button for 3 seconds at the same time to reset the memory completely.

4.2 Thermometer

4.2.1 Indoor outdoor temperature

- Press "INIOUT TEMP/SEARCH" button to show indoor (INTEMP) or outdoor (OUT TEMP) temperature.

4.2.2 Trend pointer

- The trend pointer displayed on the LCD indicates if the outdoor temperature is increasing, steady or decreasing.

4.2.3 Maximum/Minimum function

- Press "MAX/MIN" button to show the maximum (MAX) and minimum (MIN) temperature of the indoor and outdoor sensor one after the other.
- Hold "MAX/MIN" button for 3 seconds to clear the recorded maximum and minimum reading.

4.2.4 Temperature alert

- Press "ALERT" button to set the temperature alert function on or off. (☒ appears on the LCD if this function is on).
- Hold "ALERT" button for 3 seconds to enter the Alert setting mode. Indoor temperature flashes. Press "▲" or "▼" button to select indoor or outdoor temperature for the temperature alert. Press "ALERT" button to confirm the settings. Press "▲" or "▼" button to set the upper temperature limit (upwards arrow ☐ is flashing). Press "ALERT" button to confirm the settings. Press "▲" or "▼" button to set the lower temperature limit (downwards arrow ☐ is flashing).
- When passing or falling below the selected temperature limit an alarm signal will sound for 5 seconds and the temperature display begins to flash. The alarm signal keeps on beeping every minute as long as the temperature is higher/lower than the preset value (5 times maximum) or the "ALERT" button is pressed.
- Attention: Is the temperature within the preset limits the display stops flashing.

MONSUN – Wireless rain gauge



5. Positioning of display unit and transmitter

- The outdoor sensor unit should be securely placed on a horizontal surface in an open area. Avoid trees or other coverings where rainfall may be reduced causing inaccurate reading.
- Place the display unit at the final position. Avoid the vicinity of any interfering field like computer monitors or TV sets and solid metal objects.
- Check the transmission of the signal from the transmitter to the display unit (transmission range 30 m free field, within ferro-concrete rooms, especially with metal parts, the received signal is naturally weakened).
- If necessary chose another position for transmitter and/or display unit.

6. Battery Replacement

- When the batteries in the outdoor sensor unit are used up, low battery icon appears on the LCD of the display unit.
- Use alkaline batteries only. Observe correct polarity. Low batteries should be changed soon to avoid the damage resulting from a leaking battery.

Attention:

Please do not dispose of old electronic devices and empty batteries in household waste. To protect the environment, take them to your retail store or to appropriate collection sites according to national or local regulations.

7. Notes

- Always read the users manual carefully before operating the unit.
- Please switch off the display unit if not using it for a long time. Press "RAIN" button and "SEARCH" button at the same time.
- Use a pin to press the "RESET" button if the unit does not work properly.
- Avoid placing the clock near interference sources/metal frames such as computer or TV sets.
- Do not expose the instrument to extreme temperatures, vibration or shock.

8. Liability Disclaimer

- The product is not a toy. Keep it out of reach of children.
- The product is not to be used for medical purpose or for public information, but is determined for home use only.
- Improper use or unauthorized opening of housing will mean the loss of warranty.
- No part of this manual may be reproduced without written consent of TFA Dostmann.

9. Specifications

Measuring range:

Indoor temperature: -10...+50°C (14...+122°F)

Outdoor temperature: -50...+70°C (-58...+158°F)

Rainfall quantity: 0...9999 mm (0...999.9 inch)

Batteries: 3 x 1,5 V AA for main unit and
2 x 1,5 V AA for transmitter (included)